

A1260 A

R&T®
Reliable & Trustworthy



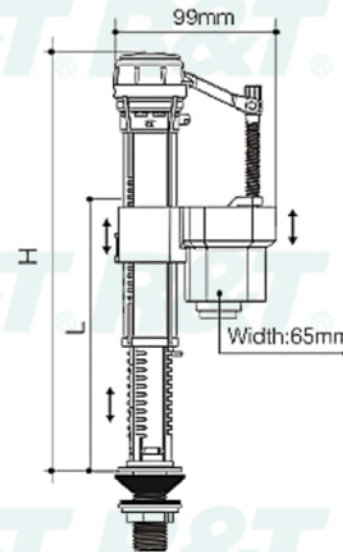
Various refill rate of 0~60% can be achieved with different size of refill restrictor.



Unique patented design, insures accurate and consistent flush volume under different water pressure.

Twist & lock features.

POM material, longer durability and non-corrosive



Minor water level adjustment

Slide tab in the "Open" direction to adjust float and shut-off cup to desired height.



Optional filter and flow restrictor available for dirty water and high pressure.



Major water level adjustment

Remove clip to adjust fill valve to desired height.



Adaptor (G15/16 to G1/2) (Optional)
Coupling Accessory (Optional)

Inlet	Item	H (installation height)	L (water level)
Bottom-in	A1260A 9"	198-273mm	87-227mm
	A1260A 10"	218-313mm	107-267mm
	A1260A 11"	243-338mm	132-292mm